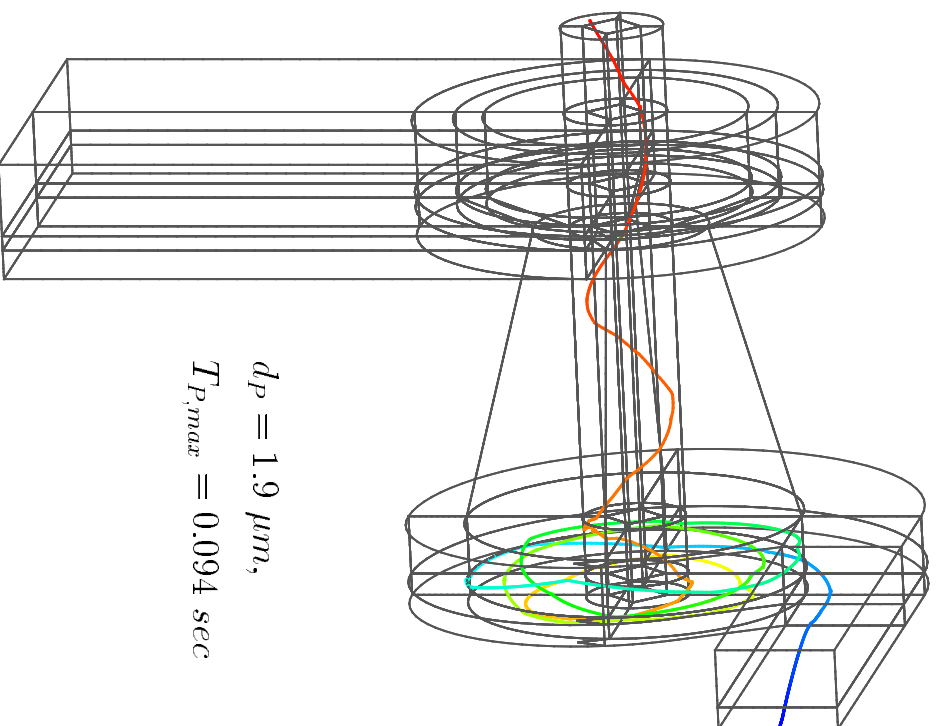


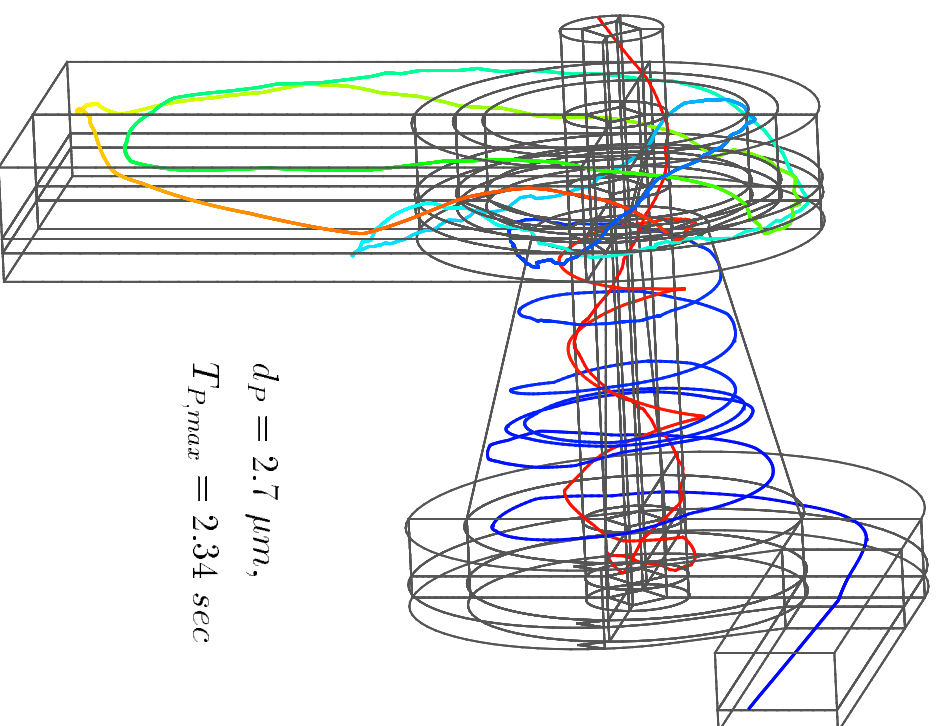
Particle trajectories in ZS18 cyclone

Particle trajectories for $d_p = 1.9 \dots 2.7 \mu\text{m}$, color corresponds to particle residence time



$$d_p = 1.9 \mu\text{m},$$

$$T_{P,max} = 0.094 \text{ sec}$$



$$d_p = 2.7 \mu\text{m},$$

$$T_{P,max} = 2.34 \text{ sec}$$

Investigation of Particle Separation in Symmetrical Double Cyclone Separators

Th. Frank*, J. Schneider**, Q. Yu*, E. Wassen*

* Chemnitz University of Technology / ** Flensburg University of Applied Sciences, Germany

