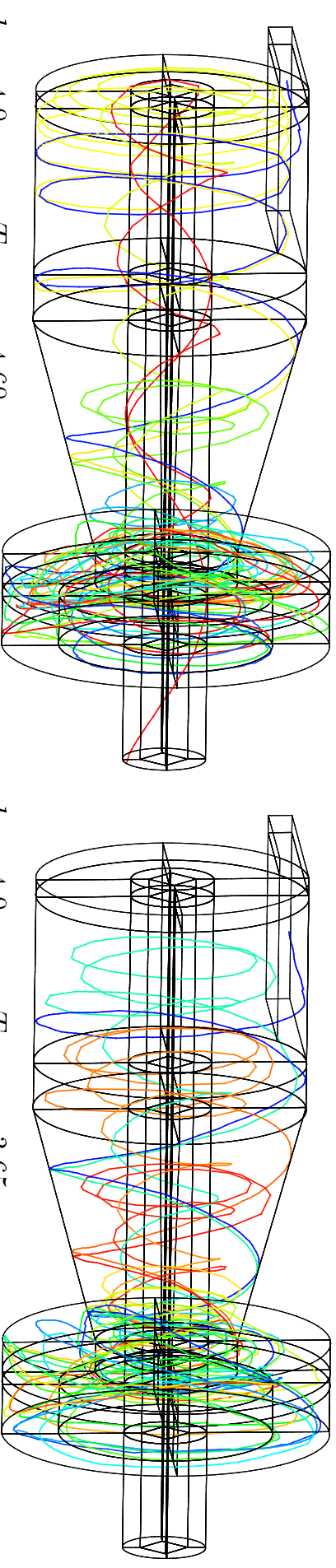
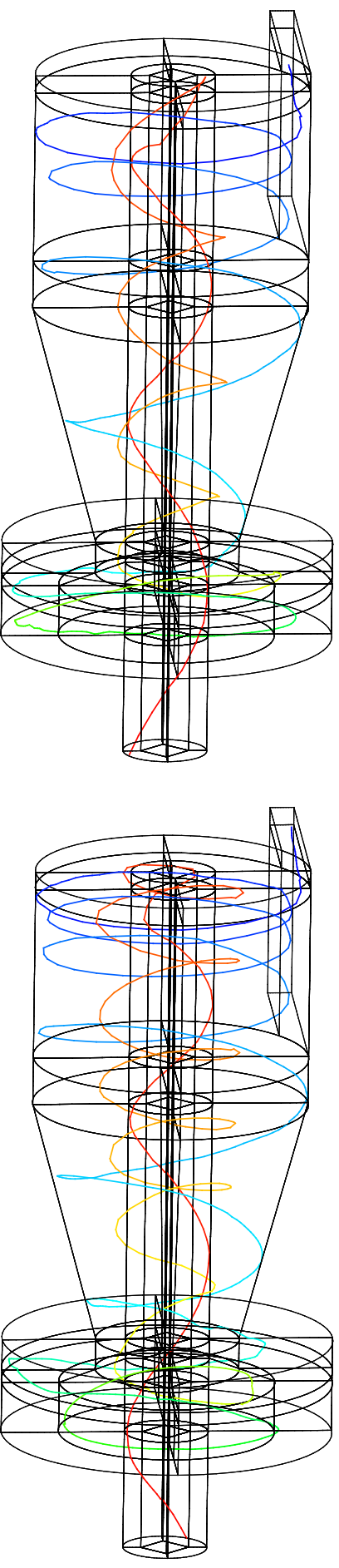


Particle trajectories in ZT30 cyclone

Particle trajectories for $d_p = 3.0 \dots 4.0 \mu\text{m}$, color corresponds to particle residence time



Investigation of Particle Separation in Symmetrical Double Cyclone Separators

Th. Frank*, J. Schneider**, Q. Yu*, E. Wassen*

* Chemnitz University of Technology / ** Flensburg University of Applied Sciences, Germany

