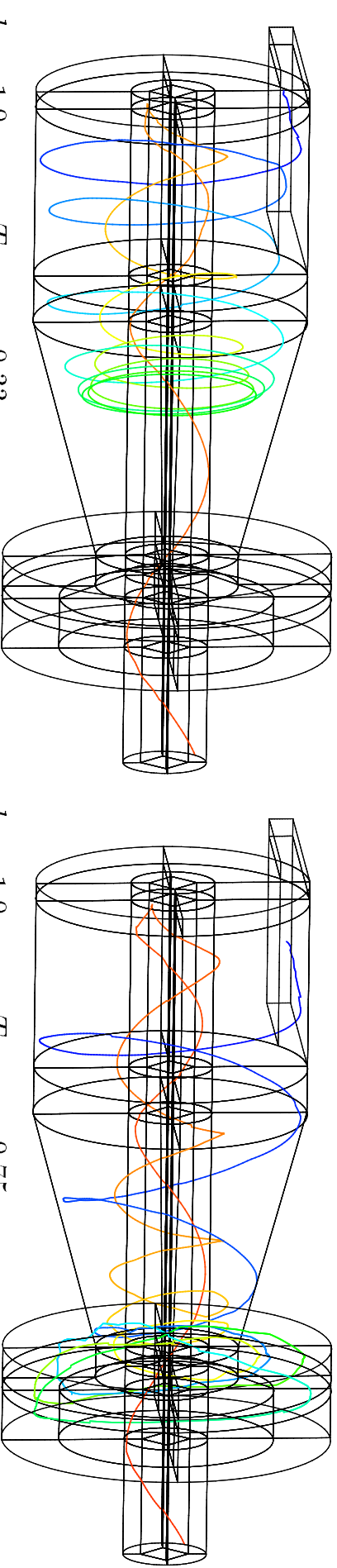
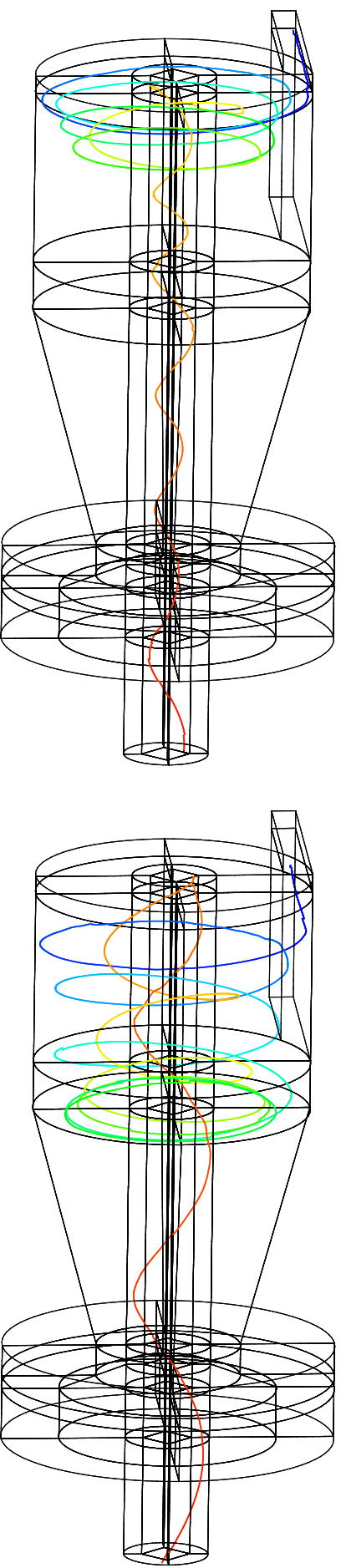


## Particle trajectories in ZT30 cyclone

Particle trajectories for  $d_p = 0.5 \dots 1.0 \mu m$ , color corresponds to particle residence time



### Investigation of Particle Separation in Symmetrical Double Cyclone Separators

Th. Frank\*, J. Schneider\*\*, Q. Yu\*, E. Wassen\*

\* Chemnitz University of Technology / \*\* Flensburg University of Applied Sciences, Germany

